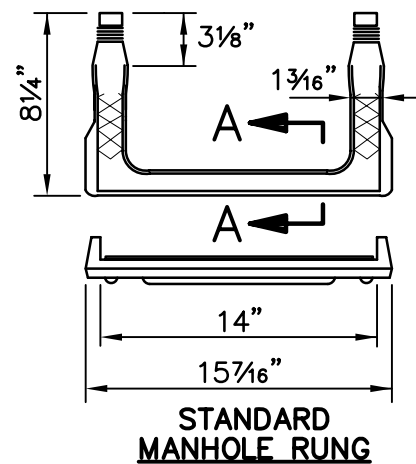
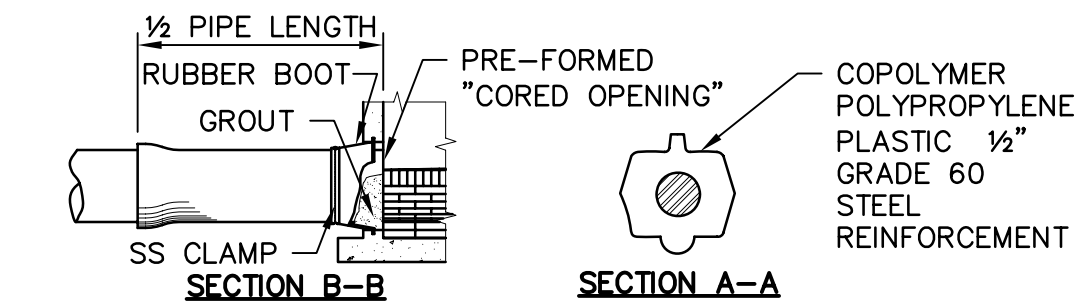
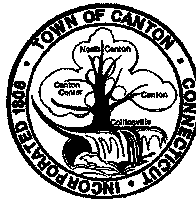


**STANDARD NOTES:**

1. REFER TO SECTION 02530 FOR ADDITIONAL REQUIREMENTS ASSOCIATED WITH PRECAST CONCRETE MANHOLES.
2. FLAT SLAB MANHOLE TOPS SHALL NOT BE USED UNLESS AUTHORIZED BY THE WPCA OR ITS TECHNICAL CONSULTANT.
3. ALUMINUM MANHOLE STEPS ARE NOT ACCEPTABLE.
4. THE MINIMUM ELEVATION DROP FROM INVERT IN TO INVERT OUT SHALL BE 0.10 FEET.
5. GROUT THE ENTIRE INSIDE AND OUTSIDE SURFACES OF ALL MANHOLE SECTION JOINTS.
6. RUBBER PLUGS TO BE USED INSIDE MANHOLE SECTION LIFTING HOLES. GROUT THE INSIDE AND OUTSIDE SURFACES OF THE LIFTING HOLES.
7. ROCK TO BE EXCAVATED 10 FEET BEYOND THE WALLS OF THE MANHOLE.
8. WHERE MANHOLES ARE INSTALLED IN CROSS COUNTRY EASEMENT AREAS, THE FRAMES AND COVERS SHALL BE 6" TO 12" ABOVE FINISHED GRADE.
9. INTERIOR AND EXTERIOR MANHOLE CHIMNEYS SHALL NOT BE PERMITTED.
10. INTERIOR MANHOLE LINING SYSTEM TO BE USED AT ALL FORCE MAIN AND LOW PRESSURE SEWER DISCHARGE STRUCTURES.



 <p>Water Pollution Control Authority Town of Canton</p> <p>4 Market Street P.O. Box 168 Collinsville, Connecticut 06022</p>	SEWER CONSTRUCTION DETAIL	
	STANDARD 48" PRECAST CONCRETE SANITARY SEWER MANHOLE	
	LATEST REVISION: 2/07	NO. 001