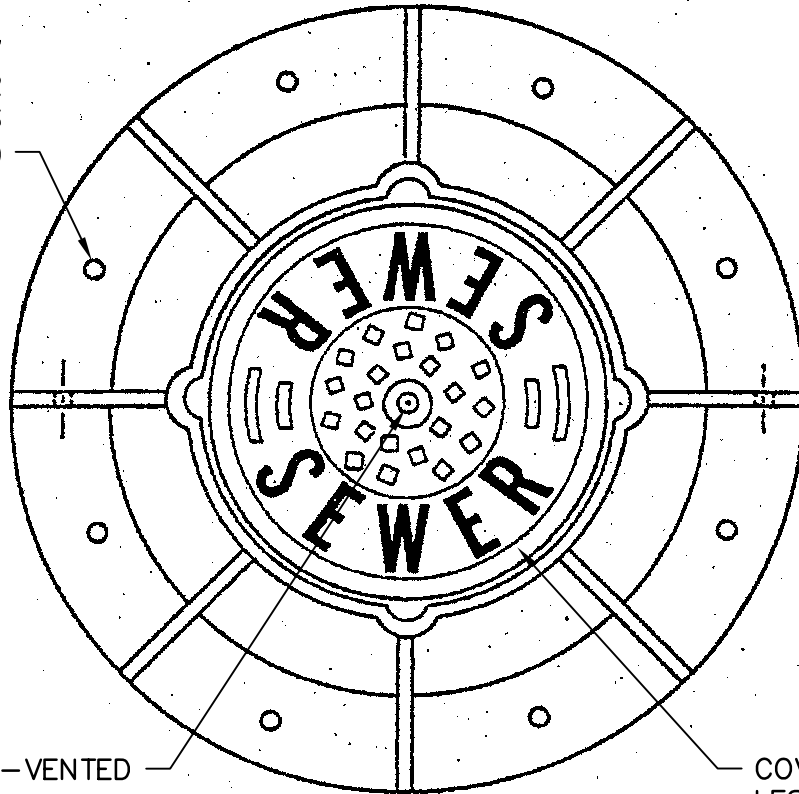


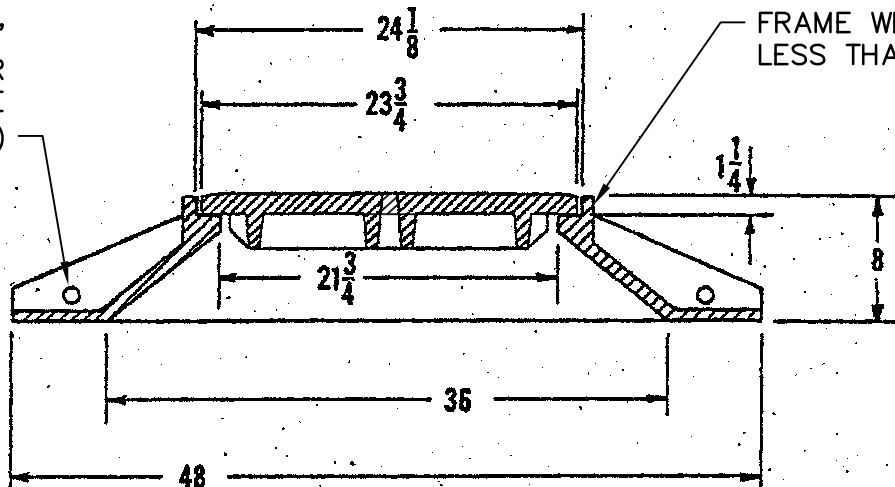
1-1/2"  
DIAMETER  
BONDING HOLES  
(TYP OF 8)



PROVIDE NON-VENTED  
COVERS

COVER WEIGHT NOT  
LESS THAN 160 LBS.

1-1/2"  
DIAMETER  
LIFTING HOLE  
(TYP OF 2)

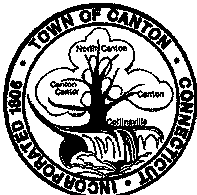


FRAME WEIGHT NOT  
LESS THAN 460 LBS.

STANDARD NOTES:

1. COVER TO BE NON-VENTED, METROPOLITAN DISTRICT COMMISSION (MDC) STANDARD.
2. REFER TO SECTION 02530 FOR ADDITIONAL REQUIREMENTS ASSOCIATED WITH STANDARD MANHOLE FRAMES AND COVERS.

Water Pollution Control Authority  
Town of Canton



4 Market Street  
P.O. Box 168  
Collinsville, Connecticut 06022

SEWER CONSTRUCTION DETAIL

STANDARD MANHOLE  
FRAME & COVER

NO SCALE

LATEST REVISION: 2/07

NO. 006