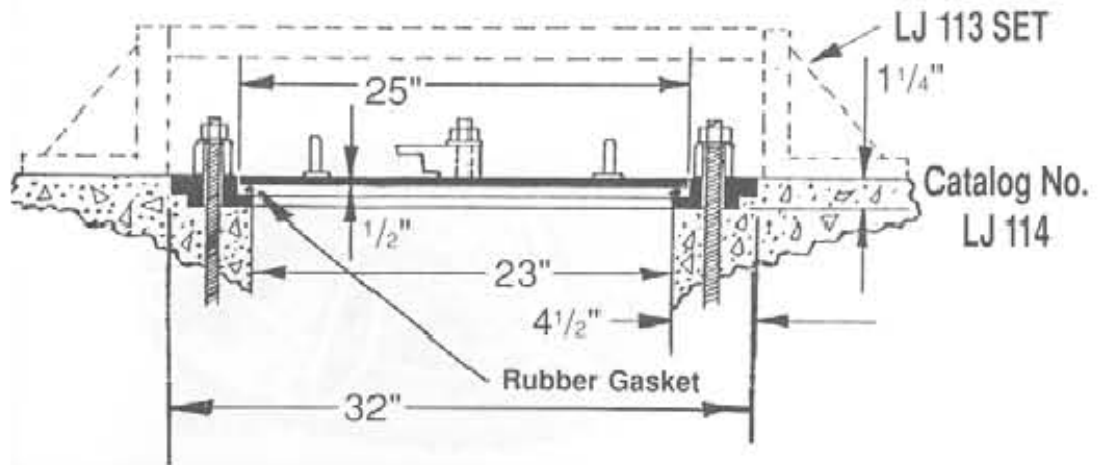


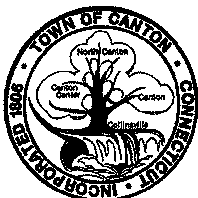
CATALOG NUMBER:
LEBARON LJ 113



STANDARD NOTES:

1. DIMENSIONS ARE APPROXIMATE.
2. WATERTIGHT MANHOLE FRAMES AND COVERS SHALL ONLY BE USED AS DIRECTED BY THE WPCA OR TECHNICAL CONSULTANT. USE SHALL BE LIMITED TO ITS LOW PRESSURE SEWER AND FORCE MAIN STRUCTURES, OR IN FLOOD PLAIN AREAS.
3. UNLESS OTHERWISE INDICATED, THE STANDARD MDC NON-VENTED MANHOLE FRAME AND COVER SHALL BE USED.
4. ABOVE MODEL NUMBERS ARE LEBARON FOUNDRY, INC. TYPE. REFER TO SECTION 02530 FOR ADDITIONAL REQUIREMENTS ASSOCIATED WITH STANDARD WATERTIGHT MANHOLE FRAMES AND COVERS.

Water Pollution Control Authority
Town of Canton



4 Market Street
P.O. Box 168
Collinsville, Connecticut 06022

SEWER CONSTRUCTION DETAIL

WATERTIGHT MANHOLE
FRAME & COVER

NO SCALE

LATEST REVISION: 2/07

NO. 007