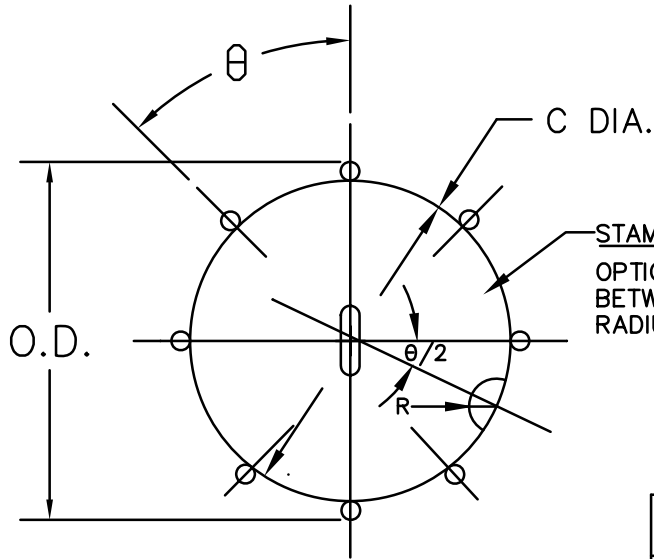


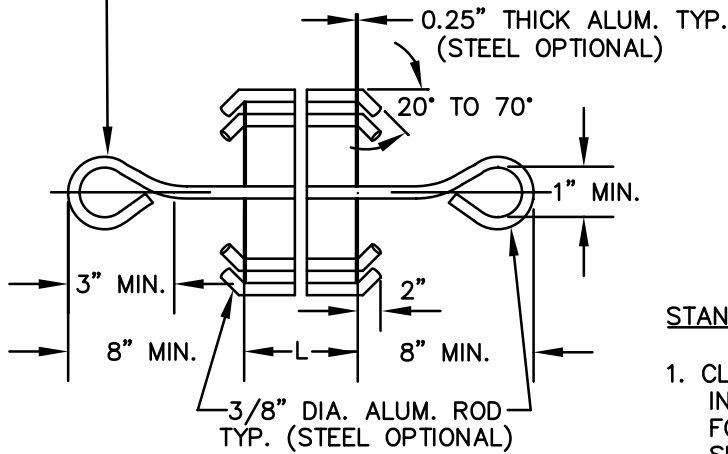
STAMPED IDENTIFICATION	5% LIMIT	
	O.D.	C
D-3034 DR-35 15"	13.20	12.20
D-3034 DR-35 12"	10.79	9.79
D-3034 DR-35 10"	9.08	8.08
D-3034 DR-35 8"	7.28	6.28



STAMP IDENTIFICATION ONE END TYP.
 OPTIONAL-SCALLOPS.(CENTERED BETWEEN RUNNERS)
 RADIUS, R=1" FOR 10",12" & 15" SIZE
 R=3/4" FOR 8" SIZE
 R=1/2" FOR 6" SIZE

NUMBER OF RUNNERS	7	8	9	10	11	12
ANGLE θ	51.4°	45°	40°	36°	32.7°	30°

NOTE:
 IF A SWIVEL CONNECTION IS DESIRED, USE A SWIVEL CLIP ON THE PULL ROPE OR CABLE.



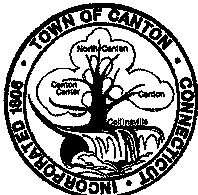
ALL DIMENSIONS IN INCHES

L	OVERALL LENGTH OF RUNNER MATERIAL REQUIRED L+4"
MIN.-MAX. 4" TO 15"	
3-1/2" TO 12"	OVERALL LENGTH OF CENTER ROD MATERIAL REQUIRED L+26"
1-3/4" TO 10"	
1-1/4" TO 8"	

MANDREL DETAIL - FABRICATION & ASSEMBLY IN ACCORDANCE WITH ASTM D-3034 SEWER PIPE FOR DEFLECTION TESTING OF INSTALLED SEWER PIPE.

STANDARD NOTES:

1. CLOSED CIRCUIT TELEVISION (CCTV) INSPECTION SHALL BE THE PRIMARY MEANS FOR INSPECTING COMPLETED GRAVITY SEWER INSTALLATIONS. HOWEVER, THE WPCA OR ITS TECHNICAL CONSULTANT MAY REQUIRE THE CONTRACTOR TO PASS THE GO-NO-GO TEST MANDREL TO CONFIRM PIPE ROUNDNESS. REFER TO SECTION 02958 FOR CCTV REQUIREMENTS.
2. REFER TO SECTION 02503 FOR ADDITIONAL REQUIREMENTS ASSOCIATED WITH TESTING GRAVITY SEWER MAINS.



Water Pollution Control Authority
 Town of Canton

4 Market Street
 P.O. Box 168
 Collinsville, Connecticut 06022

SEWER CONSTRUCTION DETAIL

GRAVITY SEWER
 TEST MANDREL

NO SCALE

LATEST REVISION: 2/07

NO. 008