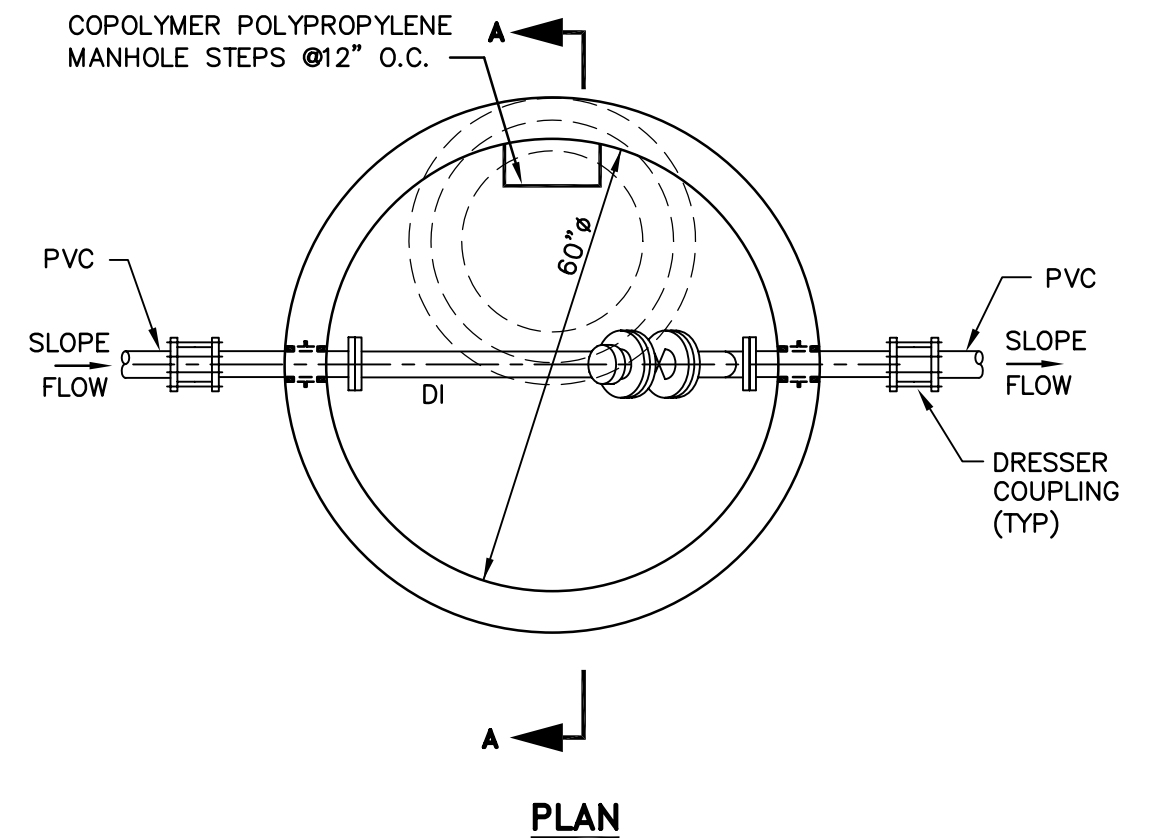
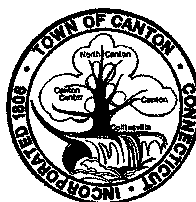


SECTION A-A



STANDARD NOTES:

1. SIZE OF INTERNAL DUCTILE IRON PIPING TO MATCH DIAMETER OF FORCE MAIN PIPE SIZE.
2. REFER TO SECTION 02530 FOR ADDITIONAL REQUIREMENTS ASSOCIATED WITH LOW PRESSURE SEWER PRECAST STRUCTURES.

 <p>Water Pollution Control Authority Town of Canton</p> <p>4 Market Street P.O. Box 168 Collinsville, Connecticut 06022</p>	SEWER CONSTRUCTION DETAIL	
	<p>FORCE MAIN IN-LINE CLEANOUT STRUCTURE</p> <p>NO SCALE</p>	
LATEST REVISION: 2/07	NO. 030	